



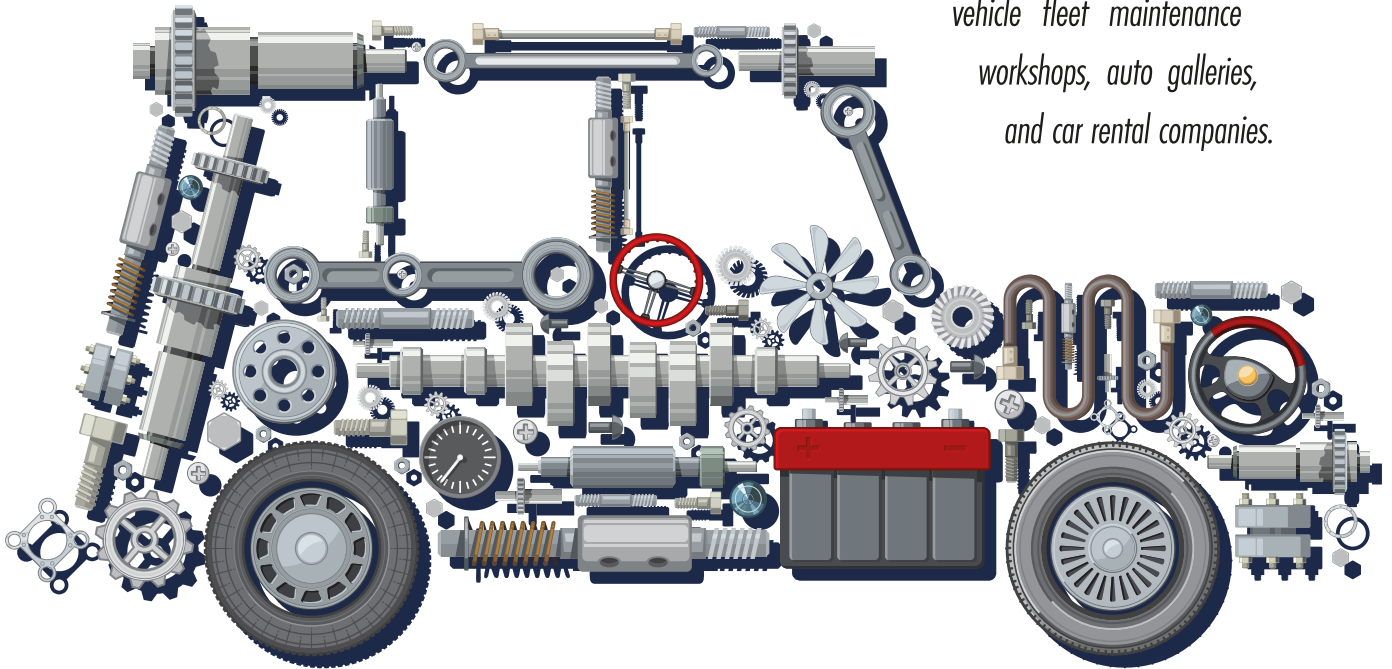
EN | 2022

www.winkelgroup.de



ABOUT US

We offer high-quality products and professional solutions to our customers operating in the automotive sector. We address to a wide range of customer group including authorized services of automotive manufacturers, special services, motorcycle services, gas stations, body shell workshops, paint shops, fast repair workshops, car glass workshops, car electricians, vehicle maintenance and modification services, vehicle fleet maintenance workshops, auto galleries, and car rental companies.



- 4. MECHANICAL PRODUCTS**
 - THREAD LOCKER - THREAD SEALANT - RETAINING COMPOUND
 - SURFACE SEALANT - SILICONE SEALANT MECHANICAL PRODUCTS

- 13. URGENT REPAIR PRODUCTS AND INSTANT ADHESIVES**
 - EPOXY & STRUCTURAL ADHESIVES - INSTANT ADHESIVES

- 20. CLEANER AND SURFACE PREPARATION PRODUCTS**
 - PARTS, SURFACE AND HAND CLEANERS

- 24. LUBRICANTS AND SPECIAL PRODUCTS**
 - LUBRICANTS - GREASES - RUST REMOVERS & DETECTING PRODUCTS
 - SPECIAL PURPOSE PRODUCTS - ANTI SEIZE PRODUCTS

- 33. ADDITIVES AND SYSTEM CLEANERS**
 - ADDITIVES - SYSTEM CLEANERS

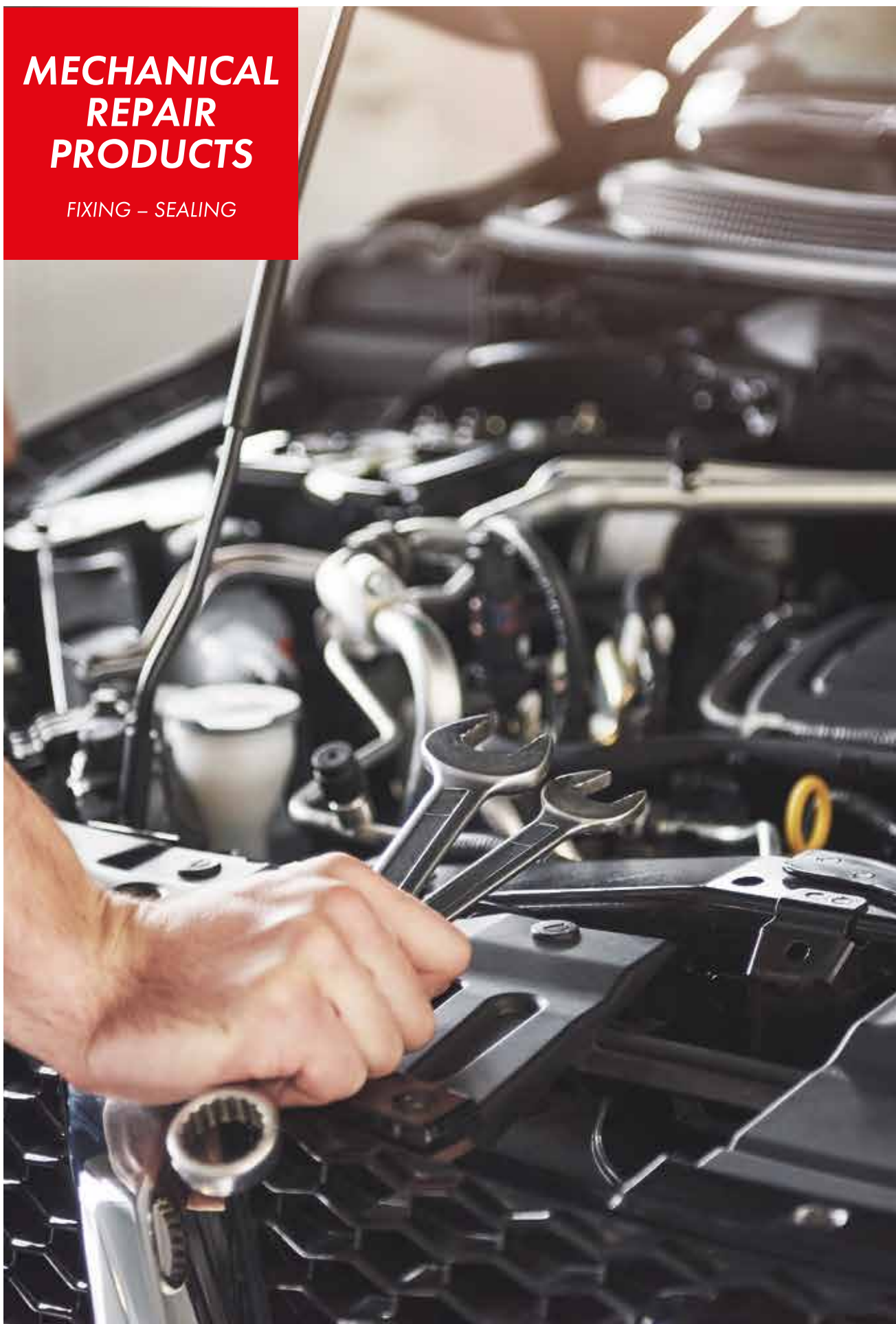
- 40. VEHICLE MAINTENANCE AND COSMETIC PRODUCTS**
 - PASTE - POLISH - VEHICLE FRAGRANCE - GLASS CLENAER

- 46. BODY REPAIR AND GLASS BONDING PRODUCTS**
 - ELASTIC SEALING - METAL COATING & PROTECTION SPRAYS - GLASS BONDING

- 50. SPRAY PAINTS**
 - ACRYLIC SPRAY PAINT - SPECIAL EFFECT PAINTS

MECHANICAL REPAIR PRODUCTS

FIXING – SEALING



WINKEL PRO 2W43

It is a medium strength adhesive product developed for fixing and sealing all kinds of bolt connections. When the product is used between metal connections and in an airless environment, it reacts and cures. It reacts faster in ferrous metals, yellow, brass and alloys. It has resistance to vibration, oil and temperature up to 180°C. If necessary, it can be removed with standard hand tools.

Colour: Blue

Strength: Medium

Functional Strength: 3-6 Hours

Recommended Ø Size: M36

Gap Filling Capacity: 0,25 mm max

Removal Torque: 20-30 Nm.

Temperature Resistance: -55°C +180°C

Unit : 10 ml

Box : 30 Pieces

Art. No. : 20318

Unit : 50 ml

Box : 10 Pieces

Art. No. : 20303

Unit : 250 ml

Box : 10 Pieces

Art. No. : 20304



WINKEL W223 243

If necessary, it can be removed with standard hand tools. Since it is for general purposes, it can be used in many connections. It provides sealing as well as fixing.

Colour: Blue

Strength: Medium

Functional Strength: 1-3 Hours

Recommended Ø Size: M36

Gap Filling Capacity: 0,25 mm max

Removal Torque: 18-25 Nm.

Temperature Resistance: -55°C +180°C

Unit : 50 ml

Box : 20 Pieces

Art. No. : W223 243-50P



WINKEL PRO 2W701

It is an oil-resistant and high-strength adhesive product developed for fixing and sealing metal screws. When the product is used between metal connections and in an airless environment, it reacts and cures. It has resistance to vibration, oil and temperature up to 180°C. It ensures that the stud bolts are fixed without removing the bearing housings. It is especially ideal for screw connections bearing heavy-duty. It can also be used on lightly soiled surfaces.

Colour: Green

Strength: High

Functional Strength: 3-6 Hours

Recommended Ø Size: M20

Gap Filling Capacity: 0,35 mm max

Removal Torque: 30-45 Nm

Temperature Resistance: -55°C +180°C

Unit : 10 ml

Box : 30 Pieces

Art. No. : 20319

Unit : 50 ml

Box : 10 Pieces

Art. No. : 20306

Unit : 250 ml

Box : 10 Pieces

Art. No. : 20307



WINKEL W230 270/1

Ideal for connections that are not intended to be removed. If necessary, it can be removed by heat treatment. It provides sealing as well as fixing.

Colour: Green

Strength: High

Functional Strength: 3-6 Hours

Recommended Ø Size: M20

Gap Filling Capacity: 0,35 mm max

Removal Torque: 30-45 Nm.

Temperature Resistance: -55°C +180°C

Unit : 50 ml

Box : 20 Pieces

Art. No. : W230 270-50P



WINKEL PRO 5W11

It is a low-strength, thixotropic threaded sealant developed for parallel and cone gears and their combinations. It has a medium level of mechanical resistance. When the product is used between metal connections and in an airless environment, it reacts and cures. It provides sealing against water, compressed air, gas, gasoline, LPG as well as chemical products from special and industrial plants.



Colour: White
Strength: Low
Functional Strength: 3-6 Hours
Recommended Ø Size: M26
Gap Filling Capacity: 0,35 mm max
Removal Torque: 15-25 Nm.
Temperature Resistance: -55°C +180°C

Unit : 50 ml **Unit :** 250 ml
Box : 10 Pieces **Box :** 10 Pieces
Art. No. : 20400 **Art. No. :** 20401

WINKEL W610 511

It can be used in place of ketene, PTFE and solid gaskets. It allows alignment after assembly. Prevents corrosion and provides sealing.



Colour: White
Strength: Low
Functional Strength: 1-3 Hours
Recommended Ø Size: M80
Gap Filling Capacity: 0,20 mm max
Removal Torque: 06-10 Nm.
Temperature Resistance: -50°C +180°C

Unit : 50 ml
Box : 20 Pieces
Art. No. : W610 511-50

WINKEL PRO 5W42

It is a medium strength sealant developed for threaded connections in hydraulic and pneumatic systems. When the product is used between metal threads and in an airless environment, it reacts and cures. It provides sealing against water, compressed air, gas, gasoline, LPG as well as chemical products used in private and industrial plants. It has high resistance to temperature up to 180°C.



Colour: Brown
Strength: Medium
Functional Strength: 3-6 Hours
Recommended Ø Size: M26
Gap Filling Capacity: 0,15 mm max
Removal Torque: -
Temperature Resistance: -55°C +180°C

Unit : 50 ml **Unit :** 250 ml
Box : 10 Pieces **Box :** 10 Pieces
Art. No. : 20409 **Art. No. :** 20410

WINKEL W610 542

It is developed for threaded connections in hydraulic & pneumatic systems. It has good penetration capability to thin and parallel spaces. Prevents corrosion and provides sealing.



Colour: Red
Strength: Medium
Functional Strength: 1-3 Hours
Recommended Ø Size: M20
Gap Filling Capacity: 0,15 mm max
Removal Torque: 18-24 Nm
Temperature Resistance: -50°C +150°C

Unit : 50 ml
Box : 20 Pieces
Art. No. : W620 542-50P

WINKEL PRO 5W77

It is a medium strength threaded sealant developed for parallel and cone gears and their combinations. When the product is used between metal connections and in an airless environment, it reacts and cures. It has a temperature resistance up to +180°C. It provides reliable sealing as opposed to conventional materials such as ketene and PTFE.

Colour: Yellow

Strength: Medium

Functional Strength: 3-6 Hours

Recommended Ø Size: M80

Gap Filling Capacity: 0,35 mm max

Removal Torque: 20-30 Nm.

Temperature Resistance: -55°C +180°C

Unit : 50 ml

Box : 10 Pieces

Art. No. : 20403

Unit : 250 ml

Box : 10 Pieces

Art. No. : 20404



WINKEL W628 577

It can be used in place of ketene, PTFE and solid gaskets. Provides high quality sealing in pipe threaded connections. It prevents corrosion.

Colour: Yellow

Strength: Medium-High

Functional Strength: 1-3 Hours

Recommended Ø Size: M80

Gap Filling Capacity: 0,35 mm max

Removal Torque: 27-32 Nm.

Temperature Resistance: -50°C +150°C

Unit : 50 ml

Box : 20 Pieces

Art. No. : W628 577-50P



WINKEL PRO 5W72

It is a low-strength, thixotropic threaded sealant product developed for parallel and cone gears and their combinations. It has a medium level of mechanical resistance. When the product is used between metal connections and in an airless environment, it reacts and cures. It provides sealing against water, compressed air, gas, gasoline, LPG as well as chemical products from special and industrial plants.

Colour: White

Strength: Low

Functional Strength: 1-3 Hours

Recommended Ø Size: M80

Gap Filling Capacity: -

Removal Torque: 5-15 Nm.

Temperature Resistance: -55°C +180°C

Unit : 50 ml

Box : 10 Pieces

Art. No. : 20406



WINKEL PRO 6W38

It is a fast-curing, high-strength compound developed especially for all kinds of cylindrical connections exposed to static shear strength and dynamic loads. When the product is used between metal threads and in an airless environment, it reacts and cures. It has resistance to temperature up to 180°C. It is widely used to bond gear wheels, pulleys and rotor joints.

Colour: Green
Strength: High
Functional Strength: 1-3 Hours
Recommended Ø Size: M36
Gap Filling Capacity: 0,30 mm max
Removal Torque: 20-35 Nm.
Temperature Resistance: -55°C +180°C

Unit : 50 ml
Box : 10 Pieces
Art. No. : 20603

Unit : 250 ml
Box : 10 Pieces
Art. No. : 20604

WINKEL W 336 638

Ideal for cylindrical connections that are not intended to be removed. It can be removed by heat treatment when necessary. It improves load transfer capacity as it provides 100% surface contact.

Colour: Green
Strength: High
Functional Strength: 1-3 Hours
Recommended Ø Size: -
Gap Filling Capacity: 0,30 mm max
Removal Torque: 30-40 Nm.
Temperature Resistance: -50°C +150°C

Unit : 50 ml
Box : 20 Pieces
Art. No. : W338 638-50P

WINKEL PRO 6W41

It is a conventional medium strength compound developed for cylindrical joints. When the product is used between metal connections and in an airless environment, it reacts and cures. It is widely used for fixing bearings, bushing bearings and rotary components to gear wheels, which need to be disassembled and assembled frequently.

Colour: Yellow
Strength: Medium
Functional Strength: 4-8 Hours
Recommended Ø Size: M36
Gap Filling Capacity: 0,20 mm max
Removal Torque: 10-20 Nm
Temperature Resistance: -55°C +180°C

Unit : 50 ml
Box : 10 Pieces
Art. No. : 20606

Unit : 250 ml
Box : 10 Pieces
Art. No. : 20607

WINKEL PRO 6W48

It is a high-strength compound that enables fixing of cylindrical joints. It can be used on lightly oily surfaces. When the product is used between metal threads and in an airless environment, it reacts and cures. It has resistance to temperature up to 180°C. It fixes stud bolts, bearing housings and roller bearings that do not need to be loosened normally. Particularly suitable for screw connections exposed to overload.

Colour: Green
Strength: High
Functional Strength: 1-3 Hours
Recommended Ø Size: M20
Gap Filling Capacity: 0,25 mm max
Removal Torque: 40-50 Nm
Temperature Resistance: -55°C +180°C

Unit : 50 ml
Box : 10 Pieces
Art. No. : 20609

Unit : 250 ml
Box : 10 Pieces
Art. No. : 20610

WINKEL PRO 5W74

It is a medium strength thixotropic surface sealing product developed for the sealing of metal gears and flanges. When the product is used between metal connections and in an airless environment, it reacts and cures. It is widely used in factories and workshops for sealing of covers, flanges and pump bodies against water, compressed air, gas, LPG and gasoline; it can be used in place of any kinds of flange seals. It has high resistance to temperature up to 180°C.

Colour: Orange

Strength: Medium

Functional Strength: 3-6 Hours

Recommended Ø Size: M80

Gap Filling Capacity: 0,35 mm max

Removal Torque: 10-15 Nm.

Temperature Resistance: -55°C +180°C

Unit : 50 ml

Box : 10 Pieces

Art. No. : 20500

Unit : 250 ml

Box : 10 Pieces

Art. No. : 20501



WINKEL W626 574

It is a general purpose sealing material. It can also be used without finishing on surfaces.

Colour: Orange

Strength: Medium

Functional Strength: 1-3 Hours

Recommended Ø Size: -

Gap Filling Capacity: 0,35 mm max

Removal Torque: 17-24 Nm.

Temperature Resistance: -50°C +150°C

Unit : 50 ml

Box : 20 Pieces

Art. No. : W626 574-50P



WINKEL PRO 5W18

It is a medium strength impermeability and sealing product developed for rigid flange connections. It provides high sealing at instantaneous low pressure exposure. When the product is used between metal connections and in an airless environment, it reacts and cures. It is widely used in sealing various metal material combinations, especially in aluminum flanges. Suitable for vertical surfaces and overhead applications. It has a temperature resistance up to 180°C.

Colour: Red
Strength: Medium
Functional Strength: 3-6 Hours
Recommended Ø Size: M80
Gap Filling Capacity: 0,35mm max.
Removal Torque: 21,2 Nm.
Temperature Resistance: -55°C +180°C

Unit : 50 ml **Unit :** 300 ml
Box : 10 Pieces **Box :** 10 Pieces
Art. No. : 20503 **Art. No. :** 20504

WINKEL W628 518

It provides sealing against oil especially in the flanges.



Colour: Red
Strength: Medium-High
Functional Strength: 1-3 Hours
Recommended Ø Size: -
Gap Filling Capacity: 0,35 mm max
Removal Torque: 20-27 Nm.
Temperature Resistance: -50°C +150°C

Unit : 50 ml
Box : 20 Pieces
Art. No. : W628 518-50P

WINKEL PRO 5W10

It is a medium strength impermeability and sealing product developed for rigid flange connections. When the product is used between metal connections and in an airless environment, it reacts and cures. It can be used in place of solid gaskets in flange connections on transmission case, pumps, and etc. It is resistant to impact and vibration. It provides sealing against water, gas, gasoline, oil, LPG and also against technical chemicals. It has a temperature resistance up to 180°C.

Colour: Pink
Strength: High
Functional Strength: 3-6 Hours
Recommended Ø Size: M56
Gap Filling Capacity: 0,25 mm max
Removal Torque: 5-10 Nm
Temperature Resistance: -55°C +180°C

Unit : 50 ml **Unit :** 250 ml
Box : 10 Pieces **Box :** 10 Pieces
Art. No. : 20506 **Art. No. :** 20507

WINKEL PRO ANAEROBIC ACTIVATOR

WINKEL PRO is a spray formulated product to increase the curing rate of Anaerobic Adhesives. It increases the activity of the adhesive and saves time. It accelerates the process of the adhesive to reach the initial strength (depending on the type of anaerobic adhesive, the size of the gap to be filled, and the room temperature) approximately 20-120 seconds. It is especially ideal for use in passive metals that are difficult to bond. It is recommended to use it for optimum benefit from the adhesive in adverse operating conditions.

Unit : 200 ml
Box : 12 Pieces
Art. No. : 20700



GASKET PLUS SEALANT - OXIME

Sealant silicone liquid gasket with high oil tolerance, high temperature resistance and gap filling capacity in flexible flange connections. Suitable for use with engine block, transmission and differential connections, and etc. It can be used to seal many areas such as the engine block, transmission, differential, oil pan, timing chain cover, intake manifold. It has a light smell and does not cause corrosion. Thanks to its 200 ml package, it provides ergonomic use and long shelf life.



Unit : 70 ml
Box : 30 Pieces
Colour : Black
Art. No. : W 200 502-0

Unit : 200 ml
Box : 12 Pieces
Colour : Black
Art. No. : W 200 504-0

Unit : 200 ml
Box : 12 Pieces
Colour : Grey
Art. No. : W 200 505-0

RTV SILICONE LIQUID GASKET - ACETOXIDE

Sealing silicone liquid gasket with high temperature resistance and gap filling capacity to be used in flange connections. Suitable for use with engine block, oil pan joints, axle gap, and etc.



Unit : 70 ml
Box : 30 Pieces
Colour : Black
Art. No. : W 200 502

Unit : 200 ml
Box : 12 Pieces
Colour : Black
Art. No. : W 200 504

Unit : 200 ml
Box : 12 Pieces
Colour : Grey
Art. No. : W 200 505

Unit : 200 ml
Box : 12 Pieces
Colour : Red
Art. No. : W 200 506

RTV HIGH TEMPERATURE SILICONE



It is a single component, moisture curing, high temperature resistant acetoxo based bonding and sealing silicone. It is 100% silicone polymer. It is highly resistant. It not contain solvent. Conforms to ISO 11600-F&G - 25 LM. It is resistant to Ozone and UV rays. It has high temperature resistance up to 255 °C (short term 285 °C). It is ideal for non-porous surfaces such as aluminum, glass, ceramic, and tiles.

Unit : 280 ml
Box : 25 Pieces
Colour : Red
Art. No. : W 160 254

HIGH TEMPERATURE SILICONE



It is an oxime-based, high temperature resistant bonding and sealing silicone. It adheres very well to the materials it is applied to and forms a high quality permanent elastic seal. It has excellent resistance to gasoline/diesel fuels, oils, grease, water and seawater, UV rays and ozone. Ideal for use in engine block sealing, oil pan joints and all flanges, transmission, axles, air conditioning and heating appliances, oven compartments, ceramic hobs.

Unit : 310 ml
Box : 20 Pieces
Colour : Black
Art. No. : W160 255

HYLOMAR



Hylomar is a technically developed, permanent, plastic polyester-urethane based sealant. Hylomar is resistant to a wide range of fluids (Avtur and Avcat) including all industrial fuels, oils, water and sea water, air, turbine and piston engine combustion products, water/glycol and methanol blends, oil and synthetic ester based lubricating oils, diesel and kerosene liquids, as well as fluorocarbon coolers. The product is effective from metal to metal and from plastic to plastic. It is used to provide sealing of surfaces and threaded parts. Some Areas of Usage: It can be used in areas such as water and oil pumps, oil pans, gaskets, engine manifolds, device inspection covers, cylinder heads, and etc.

Unit : 80 ml
Box : 10 Pieces
Art. No. : W200 073

EXHAUST ASSEMBLY PASTE

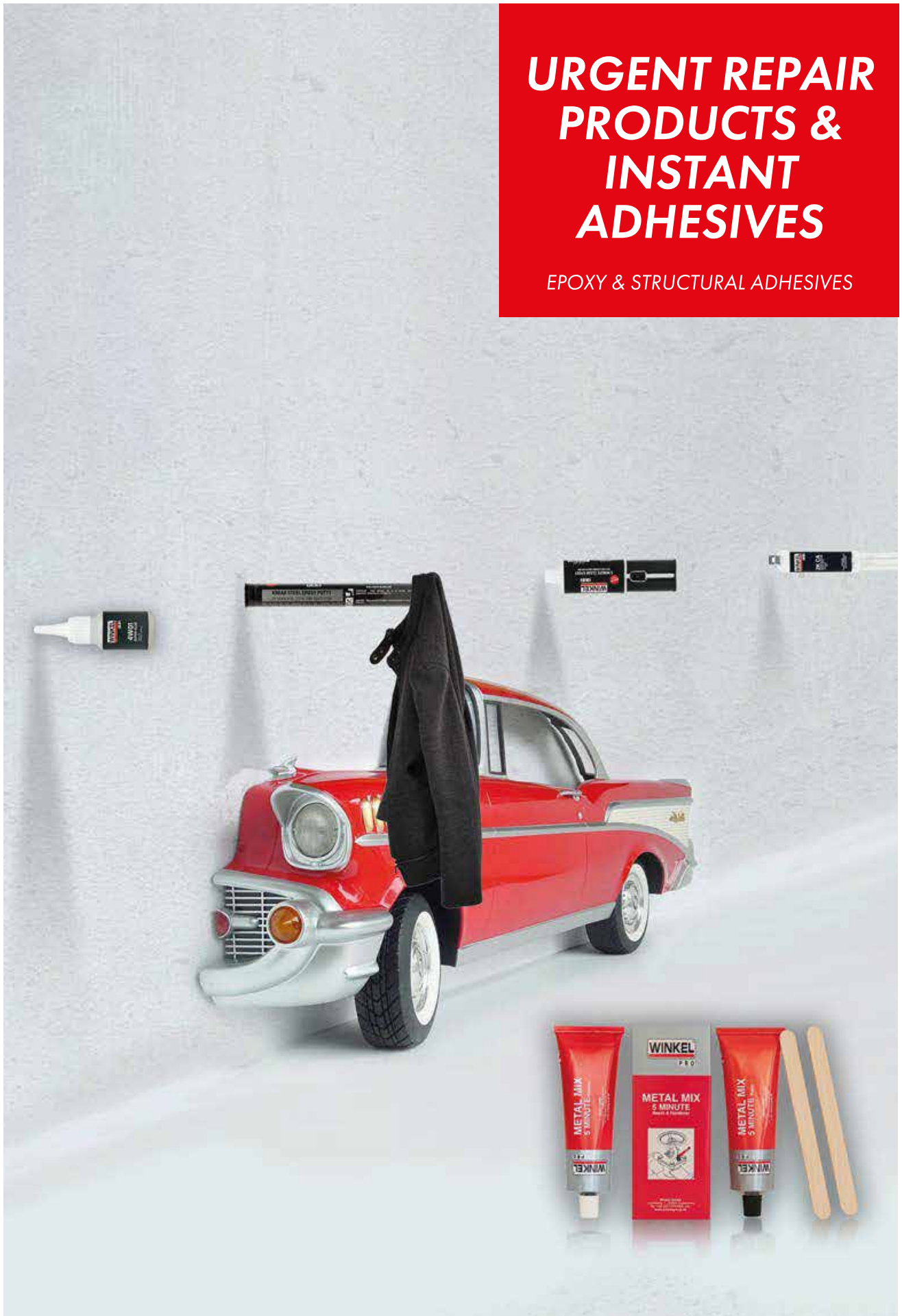


Water-based mounting paste with heat-resistant filler. It has been developed especially for the assembly of exhaust systems in automotive and general industrial applications. It has a heat-drying mechanism. After applied, the engine is started and the drying is accelerated with the exhaust heat. It provides excellent sealing against carbon monoxide and other hazardous exhaust vapors after being completely hardened. Heat Resistance: 1000 °C

Unit : 130 ml
Box : 72 Pieces
Art. No. : W130 158

URGENT REPAIR PRODUCTS & INSTANT ADHESIVES

EPOXY & STRUCTURAL ADHESIVES



WINKEL PRO 5 MINUTE CLEAR EPOXY



It is a fast curing epoxy that makes its first hold in 5 minutes and reaches its functional strength within an hour. It does not contain any filler and solvent. It has superior adhesion properties, high chemical resistance and is suitable for working in a water immersed position for a long time. Strongly bonds to a wide range of materials such as metals, fibreglass, glass, porcelain and concrete, making it ideal for multi-purpose vehicle repairs.

Unit : 28,4 g **Unit :** 500 g
Box : 14 Pieces **Box :** 1 Piece
Art. No. : 20061 **Art. No. :** 20062

WINPOX



It is a yellow methacrylate adhesive composed of two-components. It is a high-strength adhesive for plastics and metals. It is weather resistant. It can be used for the bumper repair, bumper brackets and for gluing the headlight tabs of the vehicles. It provides fast and strong adhesion. Strongly bonds to a wide range of materials such as metals, fibreglass, glass, porcelain and concrete, making it ideal for multi-purpose vehicle repairs.

* Used with application gun and mixer tip.

Unit : 25 ml **Unit :** 50 ml **Unit :** 400 ml
Box : 14 Pieces **Box :** 12 Pieces **Box :** 20 Pieces
Art. No. : W200 001 **Art. No. :** W200 002 **Art. No. :** W200 003

WINPOLY



WINPOLY is an impact-resistant, two-component special structural adhesive. It does not contain solvent. It is used to adhere surfaces/metals and low surface energy plastics, which are difficult to bond, such as polypropylene (PP), polyethylene (PE), Teflon®, EPDM (ethylene propylene diene monomer). WINPOLY has excellent resistance to moisture and chemicals thanks to its hybrid acrylate based high quality formulation. It is used in areas such as automotive sub-industry, precision mechanical, electronic, optical, as well as in glass bonding or surfaces of which adhesion is difficult to achieve such as PE and PP in the assembly and fixing of structural parts.

Unit : 37 ml
Box : 12 Pieces
Art. No. : W200 125

WINKEL PRO METAL MIX 5 MINUTE



It is a high-viscosity, metal-filled, two-component epoxy adhesive developed for maintenance and repair applications. It does not contain solvent. It is ideal for urgent repair of metal parts thanks to its high metal content (70%) in its formulation. It can be molded and used in model construction. Suitable for repairing large/wide areas as the tensile ratio after hardening is very low. It enables easy repair of damages on vertical surfaces. Once hardened, it can be drilled, leveled, grinded, painted over.

Unit : 500 g (Kit Weight)
Box : 8 Pieces
Art. No. : 20014



HEAT RESISTANCE CLEAR EPOXY

It is a transparent high temperature epoxy system with its special hardener designed especially for places exposed to high temperatures. It is widely used in places where vacuum bag production is needed, such as the aircraft industry. It cures at room temperature; can be subjected to 100 kg/cm² pressure for up to 6 hours in the temperature range of 176°C-232°C in final curing and autoclave applications. MIL Spec. MIL-S-83430A compliance is available. Some Areas of Usage: Suitable for vacuum shaped molds, transparent trim coatings, rim molds, bonding applications and composite delamination repairs.



Unit : 50 ml
Box : 10 Pieces
Art. No. : 20060

WINKEL PRO KNEAD WATER

It practically provides filling and sealing in leaky joints, adheres even under water. It fills holes and cracks in the surfaces of concrete swimming pools, aquariums, etc., and repairs broken parts on their surfaces. Perfect for remodeling and parts fabrication. As a general purpose filler/sealant, it provides excellent adhesion in metals, wood, and glass, marble, ceramic and many plastics. It can be drilled, passed, filed, sanded and painted on like metal. It reaches steel hardness in 1 hour. It adheres very well to aluminum, iron, steel, wood, glass, wall, ceramic and many plastics. It can be used in areas such as mold construction, filling, bonding, vehicle repair, and etc.



Unit : 114 g
Box : 10 Pieces
Art. No. : 20050

KNEAD STEEL EPOXY PUTTY

Winkel PRO KNEAD STEEL provides practical filling and sealing in leaky connections, fills holes and cracks, and repairs broken parts. Perfect for remodeling and parts fabrication. As a general purpose adhesive, it provides excellent adhesion in metals, wood, glass, marble, ceramics and many plastics. It can be drilled, passed, filed, sanded and painted on like metal. It reaches steel hardness in 20 minutes. It adheres very well to aluminum, iron, steel, wood, glass, wall, ceramic and many plastics. It can be used in areas such as mold construction, filling, bonding, vehicle repair, and etc.



Unit : 114 g
Box : 10 Pieces
Art. No. : 20051

WINKEL PRO KNEAD STEEL & KNEAD WATER USAGE AREAS



INSTALLATIONS - Sink traps, oil and water tanks, pipe connections, drain pipe leaks, etc.



ELECTRICAL - It can be used in place of tape, ceramic connector, control knob, etc.



CERAMIC REPAIR - Cracked wall and floor ceramics, etc.



VEHICLE REPAIR - Metal strips, small dents, fuel tank, radiator etc.



UNDERWATER REPAIR - Concrete swimming pools, aquarium, etc.



SOLID GASKETS - Permanent sealing and bonding.



INDOOR REPAIRS - Screw holes in wood or metal, hanging wall paintings, lighting fixture assemblies, fixation of loose furniture armrests and legs, air duct leaks, etc.

WINKEL PRO A EASYMIX STEEL PUTTY



It is an iron filled, impact and wear resistant casting repair epoxy. It enables rapid repair in case of emergency. After drying, it can be drilled, filed, levelled or painted over. Engine bodies, auxiliary furnace components, molds, technical change adaptation, modeling, casting bodies, hammer body repair, Zamak (kirkSITE) fillings, core boxes, prototypes. It can be used for repair and filling in areas such as engine bodies, molds, modeling, etc.

Unit : 500 g
Box : 1 Piece
Art. No. : 20013

WINKEL PRO F EASYMIX ALUMINUM STEEL PUTTY



It is an aluminum filled surface casting repair epoxy. Suitable for hard and permanent repair in castings. It is a grey colored epoxy resin especially developed for casting in gaps between 0,4 and 12,5 mm. When hardened, it can be drilled or machined using conventional metalworking tools.

It can be used for filling and bonding in vehicle molding, body repair.

Unit : 500 g
Box : 1 Piece
Art. No. : 20022





MDF INSTANT ADHESIVE SPRAY

It has been developed especially for absorbent wood bonding processes. The activator in the kit accelerates bonding as well as optimizes adhesive consumption. It pastes in a matter of seconds.

Unit: 200 ml (KIT)
Box : 24 Pieces
Art. No. : W200 023

Unit : 400 ml (KIT)
Box : 25 Pieces
Art. No. : W200 022

WINKEL PRO 4W01 SUPER GLUE - LONG LIFE

It is a long-lasting, cyanoacrylate-based fast adhesive developed for special applications. It is used in leather, cardboard, fungus, wood, foam, plastic, elastomers, metal and absorbent materials and in individual applications where traditional adhesives do not give optimum results. High stability. Highly resistant to moisture. It does not wet paper and cardboard and is suitable for use in absorbent materials. Clean and aesthetic adhesion. Fast drying in 1-3 seconds.



Unit : 20 g
Box : 30 Pieces
Art. No. : 20105

WINKEL PRO 4W60 SUPER GLUE LOW ODOR & BLOOM

It is a cyanoacrylate based fast adhesive specially developed for applications where aesthetic adhesion is important. It provides safe use thanks to its special formulation. It does not bloom, it is almost odorless. Clean and aesthetic adhesion. It has no corrosive effect on Styrofoam® model construction.



Unit : 20 g
Box : 30 Pieces
Art. No. : 20100

WINKEL PRO 4W06 SUPER GLUE PLASTIC & RUBBER

It is a cyanoacrylate based fast adhesive specially developed for bonding materials that are exposed to high temperatures and require high flexibility, such as plastic and rubber. It has different viscosities according to the range of applications. Temperature-resistant bonding up to +125°C. Improved impact resistance. High flexibility



Unit : 20 g
Box : 30 Pieces
Art. No. : 20110

Low Viscosity

Unit : 20 g
Box : 30 Pieces
Art. No. : 20111

Medium Viscosity

Unit : 20 g
Box : 30 Pieces
Art. No. : 20112

High Viscosity

WINKEL PRO 4W15 SUPER GLUE METAL & RUBBER

It is a cyanoacrylate based fast adhesive developed for bonding metal and metal rubber combinations. It is also used in cases where traditional adhesives do not give optimum results; as well as it is used for leather, cardboard, mushroom, wood, foam, plastic, elastomers and absorbent materials, especially metals and rubber. It has high resistance to moisture. It provides ideal bonding in aprons. Clean and aesthetic appearance. Rapid hardening in 1-3 seconds.



Unit : 20 g
Box : 30 Pieces
Art. No. : 20205

WINKEL PRO RUBBER BLACK TOUGHENED SUPER GLUE

It is a black colored, cyanoacrylate based fast adhesive with high moisture resistance, flexible structured, resistant to shock, impact and peeling. It is not absorbed uncontrolled in paper and cardboard materials. Thanks to its deep black color, it is especially used in model assembly, interior equipment of vehicles and for the bonding of black parts in the repair of all kinds of plastics.



Unit : 20 g
Box : 30 Pieces
Art. No. : 20115

WINKEL PRO GEL SUPER GLUE

It is a gel-formed instant adhesive developed for upright surfaces and porous materials. It provides comfortable use in overhead applications and on vertical surfaces without the risk of running down. Prevents uncontrolled consumption of adhesive and spread to undesired areas. Ideal for bonding porous and absorbent materials such as metal, plastic, rubber and wood, cork.



Unit : 20 g
Box : 30 Pieces
Art. No. : 20200

WINKEL PRO CA PRIMER

It improves the adhesion of materials which are difficult to bond such as PE, PP, PTFE, silicones and thermoplastics. It increases the bonding strength of the adhesive by balancing the surface energy. It is not used in adhesive plastics.

* Used with mixer tip.

Unit : 15 ml
Box : 50 Pieces
Art. No. : 20299



ADHESIVE SPRAY

It is a synthetic rubber based spray contact adhesive with very high adhesion strength. Typical areas of usage: It can be used in handicrafts, industry and automobile workshops to bond paper, cardboard, polystyrene, felt, metal, many plastics types, foam, wood, fabric, insulation mats, etc.



Unit : 500 ml
Box : 12 Pieces
Art. No. : W150 158

CLEANER AND SURFACE PREPARATION PRODUCTS

PARTS, SURFACE AND HAND CLEANERS



WINOL UNIVERSAL BIO REINIGER

It is a water-based cleaner used to clean residuals such as dirt, oil and ink from all kinds of surfaces. Biologically, it can be decomposed in nature. The concentrated product can be diluted with water and customized for its intended use according to the type of surface and dirt to be cleaned. For dilution ratios, please refer to product's TDS.

Unit : 1 L

Box : 9 Pieces

Art. No. : W170 120-1

Unit : 5 L

Box : 4 Pieces

Art. No. : W170 120-5

Birim: 30 L

Kutu : Gallon

Art. No. : W170 120-30

GENERAL CLEANING SPRAY

Thanks to its special formula, it enables cleaning of grease, tar and other oils, which are in the form of layers, to be cleaned without excessive effort. It is particularly effective for cleaning brake fluid, oil, grease, as well as for removing dust etc. in the automobile components.



Unit : 500 ml

Box : 24 Pieces

Art. No. : W170 104

PARTS CLEANER LIQUID

Thanks to its special formula, it enables cleaning of grease, tar and other oils, which are in the form of layers, to be cleaned without excessive effort. It is particularly effective for cleaning brake fluid, oil, grease, as well as for removing dust etc. in the automobile components.



Unit : 60 L

Box : Gallon

Art. No. : W140 611-60



WINKEL PRO FAST CLEANER

It is a high-performance cleaning spray product based on alcohol, ether and hydrocarbon solvent. The cleaning chemicals in its content contain more than 90% active ingredients. It does not leave residue, does not form permanent film, and does not corrode the surfaces. It dries quickly, eliminates moisture on metal surfaces and makes the surface ideal for adhesion. Ideal for use as a general degreaser and cleaner prior to bonding and sealing processes in all glass, ceramic and metal parts in workshops, businesses and homes for cleaning purposes. It is used in cases where surfaces need to be pre-treated for painting or priming, and also for removing silicone residues from metal surfaces.



Unit : 400 ml
Box : 12 Pieces
Art. No. : 20071

PAINT GASKET REMOVER SPRAY

Strong remover product that allows to clean all kinds of adhesive and gasket residue without scratching and damaging the surface. It is not recommended for use in sensitive plastics and PVC. Its performance increases when the application surface is firstly cleaned of coarse dirt and then the product is applied afterwards. 10-15 minutes after application for silicone gaskets. It should be cleaned 15-20 minutes after being squeezed on the surface to clean the anaerobic sealers.



Unit : 400 ml
Box : 12 Pieces
Art. No. : W170 100

FOAM CLEANER SPRAY

Removes oil, nicotine, insect residues and fingerprints from all surfaces. It provides deep cleaning by holding on the surfaces where it is applied with the foam form. It can be used on automobile headlight glass, car blind and windows. It can be used for cleaning before adhesion on glass surfaces.



Unit : 400 ml
Box : 12 Pieces
Art. No. : W170 112

LABEL DISSSPRAY

It removes adhesive residues, labels, resin, tar and the most stubborn dirt from the surfaces of metal, glass, ceramic, porcelain, enamel and all synthetic materials. It cleans without leaving any residue.



Unit : 400 ml
Box : 12 Pieces
Art. No. : W170 103

STAIN REMOVER SPRAY

It removes stains from almost all fabric surfaces, including silk, without any problems and without leaving marks. Repeated application may be required depending on the type and density of the stain. It can be used on vehicle seat upholstery, roof and floor coverings.

Unit : 400 ml
Box : 12 Pieces
Art. No. : W170 111



HAND CLEANING CREAM

It is a hand cleaning product developed for cleaning toughest dirt, oil, tar, pitch, etc. residues. Pumice stone granules in its content allow deep cleaning without irritating the skin. The product is ideal for hand cleaning without water. Requires rinsing before contact with any foodstuff. In addition to hand cleaning, it can be easily used in effective cleaning on equipment surfaces.

Unit : 500 g
Box : 24 Pieces
Art. No. : W140 601

Unit : 3 L
Box : 6 Pieces
Art. No. : W140 601-3



LUBRICANTS AND SPECIAL CLEANERS

LUBRICANTS



Lubricates



Cleanses



**Prevents
corrosion**



Dissolves rust



**Removes water and
moisture from the surface**



MULTI SIGNUM SPRAY

Dissolves rust on rusted bolts, pipe connections, screws, nuts, steel springs, shafts, locks, and etc. Lubricates door locks, hinges and chains. It cleans and maintains plastic-metal parts, e.g. panels, body applications, etc. Prevents corrosion of metals, electrical components, cable connections, relays, plugs, couplings. It is a mineral-based and multi-purpose lubricant. Prevents corrosion, lubricates, cleanses, removes water-moisture from the surface and dissolves rust. It penetrates the part perfectly. It has very good lubrication properties. It gets under dirt, oil and residues and removes them off the surface. The film it forms penetrates deeply and provides excellent protection against moisture, especially in grift parts.

Unit : 200 ml

Box : 12 Pieces

Art. No. : W160 110-200

Unit : 400 ml

Box : 24 Pieces

Art. No. : W160 110



CHAIN AND ROPE CARE SPRAY

It forms a flexible layer of protection against corrosion. Resistant to wear and pressure. It is resistant to water and moisture. It produces a solution that does not jam and does not collect dirt in moving mechanisms where greases cause problems. Prevents bimetal corrosion. It is especially ideal for running gears such as gear mechanisms, chains, etc. With its excellent penetration effect, it descends to the center of the chain link and provides homogeneous lubrication.

Unit : 400 ml

Box : 12 Pieces

Art. No. : W160 115



CHAIN CARE SPRAY

Ideal for cleaning and maintaining chain systems damaged by improper lubrication. With its superior penetration ability, it moves towards the center of the applied surfaces and enables effective lubrication. It is resistant to water and moisture. Prevents bimetal corrosion. It is especially used in the maintenance and extension of the service life of chained equipment that requires periodic maintenance such as forklift chains.

Unit : 400 ml

Box : 12 Pieces

Art. No. : W160 116



SILICONE SPRAY

It provides long-term maintenance and protection on metal, plastic and rubber surfaces. Prevents squeaking. It is quite cost-friendly thanks to its extra thin layer that provides protection and maintenance. It is waterproof and corrosion resistant. It does not gather dust thanks to its antistatic effect. In the automotive field, it is used for lubrication and cleaning of plastic parts.

Unit : 500 ml

Box : 12 Pieces

Art. No. : W160 112





PTF DRY LUBRICATION SPRAY

Colorless, PTFE-containing dry lubricant for metal, rubber, plastic and other materials. Ideal for applications where grease cannot be used due to dirtiness and aesthetic reasons. Suitable for use in the electrical, plastic, textile and automotive industries. It can be used for the maintenance of seat belts. Suitable for lubrication of Sunroof skids.



Unit : 400 ml
Box : 12 Pieces
Art. No. : W150 130

RUBBER & PLASTICS MAINTENANCE SPRAY

It is a special oil formulated to remove nicotine, gas black and dirt from surfaces such as rubber, plastic and PVC. It provides care and protection on the surfaces that it is applied. Examples of areas of usage include vehicle cockpits, tyres and bumpers.



Unit : 400 ml
Box : 12 Pieces
Art. No. : W150 151

MoS₂ DRY LUBRICATION SYSTEM

It is a spray product that lubricates dry film in equipment with sliding friction. Thanks to its MoS₂ additive, it reduces friction in systems operating under heavy loads. For best results, it is important that the application surfaces are clean and dry.



Unit : 400 ml
Box : 12 Pieces
Art. No. : W160 109

V-BELT SPRAY

It has been developed for the maintenance of any kinds of flat, axial and V-belts made of PVC, rubber and leather. It feeds the belt, reduces noise and keeps the belt in the pulley axis. In this state, it increases the pulling power and efficiency of the belt while providing protection against wear.

Unit : 400 ml
Box : 12 Pieces
Art. No. : W150 157



CONTACT SPRAY (OILY)

Mineral oil based organic solvent developed for cleaning electronic cards and sockets. It removes oxidation and dirt from contacts, fuses, cable connections. It repels water and moisture. It forms a wet film on the surface after application.

Unit : 400 ml
Box : 12 Pieces
Art. No. : W170 108

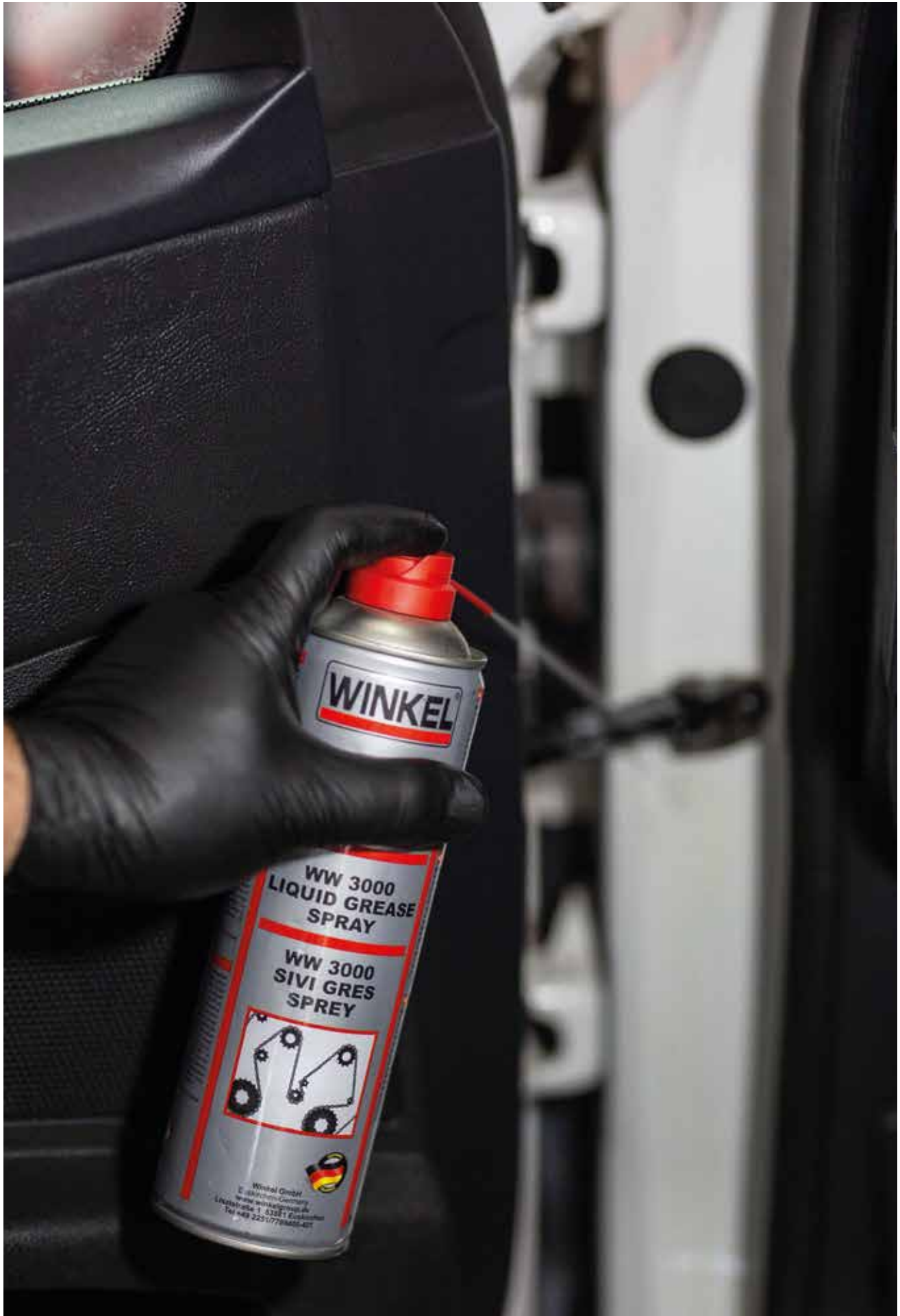


CONTACT SPRAY (NON-OIL)

Effectively removes dirt from switches of electrical components that may cause arcing. It provides safe use for cleaning and maintenance purposes in electronic devices. After application, it forms a dry film that repels moisture and water.

Unit : 400 ml
Box : 12 Pieces
Art. No. : W170 109





WW3000 LIQUID GREASE SPRAY

It is resistant to high pressure. It is resistant to water, temperature of 180°C and corrosion. It has much more adhesion feature. It does not run down or drip. It provides transparent and permanent lubrication. It provides permanent lubrication in the automotive field, door locks and pulleys and moving metal parts.

Unit : 500 ml
Box : 12 Pieces
Art. No. : W160 114



GENERAL PURPOSE CARTRIDGE GREASE

It is a general purpose bearing grease that provides safe and long-term lubrication in heavy loads and reduces friction and wear. It can be pressed with standard grease pumps that supply oil in the systems. In the application, the bearing manufacturer's instructions must be followed.

Unit : 400 ml
Box : 12 Pieces
Art. No. : W150 220



LITHIUM WHITE GREASE SPRAY

Suitable for engineering plastics as well as metals. It does not contain metal. Thanks to its lithium content, it is resistant to salt water and steam. Provides long-term protection against corrosion. Thanks to its spray application feature, it provides effective lubrication at points that cannot be disassembled or reached.

Unit : 400 ml
Box : 12 Pieces
Art. No. : W160 108



MoS₂ GEAR WHEEL SPRAY (400°C)

It forms a friction-resistant elastic protection layer. It repels water from the surface and protects the surface against corrosion. It is resistant to washing with pressurized water. It is used for lubricating chain, machine, gear wheel, etc. Minimizes noise and friction. For a homogeneous coating, shake for about 1 minute before each spraying until you hear the sound of the free ball.

Unit : 400 ml
Box : 12 Pieces
Art. No. : W160 104





PENETRATING OIL SPRAY

It is a mineral-based rust remover with excellent penetration feature. Reduces friction thanks to its MoS2 content. Provides long-lasting and effective corrosion protection. Allows removal of excessively rusted and oxidized moving parts.



Unit : 200 ml
Box : 12 Pieces
Art. No. : W160 120

Unit : 400 ml
Box : 24 Pieces
Art. No. : W160 170

LEAK DETECTION SPRAY

It is used to detect leaks in natural gas connections and air lines. Typical application points: pipes, hoses, valves, threaded or welded connections, pressured containers, compressors, etc. Not flammable. It does not interact with gases such as propane, butane, acetylene, natural gas, nitrogen, compressed air, hydrofluorocarbon. Do not use with oxygen.



Unit : 400 ml
Box : 12 Pieces
Art. No. : W150 150

ICE RUST REMOVER SPRAY

It dissolves rusty connections quickly and easily. With its cooler effect, it makes the rust on the metal surface brittle. It does not require waiting. It reaches even the thinnest interspaces on the applied surface. Leaves no residue.



Unit : 400 ml
Box : 12 Pieces
Art. No. : W160 102

INSULATING VARNISH SPRAY

It is an insulation varnish resistant to bad weather and corrosion, which creates a water resistant protection layer. Meets DIN 53482 standard with high insulation value. It is especially suitable for hard-to-reach areas. It can be used for furniture repairs and hobby purposes (artwork, model construction, sports, hand tools, etc.) in the repair and maintenance workshops of electronic products. It provides waterproofing feature in electronic plaques of vehicles.

Unit : 400 ml
Box : 12 Pieces
Art. No. : W150 148-Red

Unit : 400 ml
Box : 12 Pieces
Art. No. : W150 149-Transparent



COOLING SPRAY

Thanks to its special content, it cools the applied surfaces to -40 ° C in a short time. In cases where urgent intervention is required for hot parts, it cools the part quickly, shortens the repair time and saves time. It can be used in industrial areas and electronics.

Unit : 500 ml
Box : 12 Pieces
Art. No. : W170 121



ANTISEIZE COPPER SPRAY



It is a spray mounting paste containing full synthetic lubricant and copper particles. Prevents seize of moving parts operating under high temperature and pressure. It is resistant to water, gasoline, oil, grease and gases. It allows remote application on moving parts that are difficult or impossible to disassemble. It can be easily used in all kinds of connection points exposed to high heat, pressure and corrosion. Some Usage Areas: It can be used in areas such as injector installation, heater plug installation, guides, bolts, etc.

Colour : Copper
 NLGI Category : 2
 Compressive Strength : 230 N/mm²
 Operating Temperature Range : -20°C +1100°C

Unit : 400 ml
 Box : 12 Pieces
 Art. No. : W160 101

ANTI SEIZE COPPER MOUNTING GREASE



It is a spray mounting paste containing full synthetic lubricant and copper particles. Prevents seize of moving parts operating under high temperature and pressure. It is resistant to washing with pressurized water.

Colour : Copper
 NLGI Category : 2
 Compressive Strength : 230 N/mm²
 Operating Temperature Range : -20°C +1100°C

Unit : 1 kg
 Box : 12 Pieces
 Art. No. : W150 202

ANTISEIZE CERAMIC SPRAY



It is a spray mounting paste that does not contain metal and graphite. Thanks to its high-tech ceramic structure, it provides efficient lubrication. It is resistant to gas, salt, acid and solutions. Prevents friction based adhesion and corrosion for heavy bearings and sliding surfaces. Suitable for all moving connections with high heat and pressure, bearings, screws, flanges and bolts, brake caliper lubrication, pump and seal housings, etc.

Colour : Off-White
 NLGI Category : 2
 Compressive Strength : 220 N/mm²
 Operating Temperature Range : -40°C +1400°C

Unit : 400 ml
 Box : 12 Pieces
 Art. No. : W160 200

ANTISEIZE CERAMIC MOUNTING GREASE



It is an excellent mounting paste enriched with ceramic particles. Water repellent, adheres perfectly to surfaces. It gives excellent results in high temperature and pressure exposed connections, bearings, chain systems, pressure devices, etc.

Colour : Off-White
 NLGI Category : 2
 Compressive Strength : 220 N/mm²
 Operating Temperature Range : -20°C +1700°C

Unit : 1 kg
 Box : 12 Pieces
 Art. No. : W150 200

GASOLINE ADDITIVE

It is a fuel additive for all gasoline engines. Removes sedimentation and oxidation residues in fuel lines, injection needles, cylinders, spark plugs and combustion chamber. It saves fuel with precise fuel injection and proper combustion.



Unit : 300 ml
Box : 12 Pieces
Art. No. : W130 103

DIESEL ADDITIVE

It is a fuel additive for all diesel engines. It cleans the diesel system and combustion chamber. Keeps the injection system clean. It contains an effective biocide that effectively prevents the growth and spread of microorganisms in the fuel tank and fuel system.



Unit : 300 ml
Box : 24 Pieces
Art. No. : W130 102

ENGINE OIL ADDITIVE MoS₂

Thanks to the special formulation of the engine oil additive with MoS₂, it is highly durable compared to similar products. Reduces friction, wear, fuel and oil consumption and toxic emissions. The MoS₂ lubricant film guarantees lubrication in cold starts and in emergencies.



Unit: 300 ml
Box : 24 Pieces
Art. No. : W130 105

RADIATOR SEALANT

It repairs and seals capillary cracks in the radiators, cylinder heads and engine blocks. Eliminates the need for expensive repairs. It does not damage rubber hoses, metal parts and gaskets. Can be used on all radiator types except cooling circuits with internal filter unit.



Unit : 300 ml
Box : 24 Pieces
Art. No. : W130 109

DPF ADDITIVE AND CLEANER

Suitable for all diesel engines with diesel particle filter. It is used for cleaning and regeneration of filters. It prevents power loss and excessive fuel consumption due to clogged particle filters.

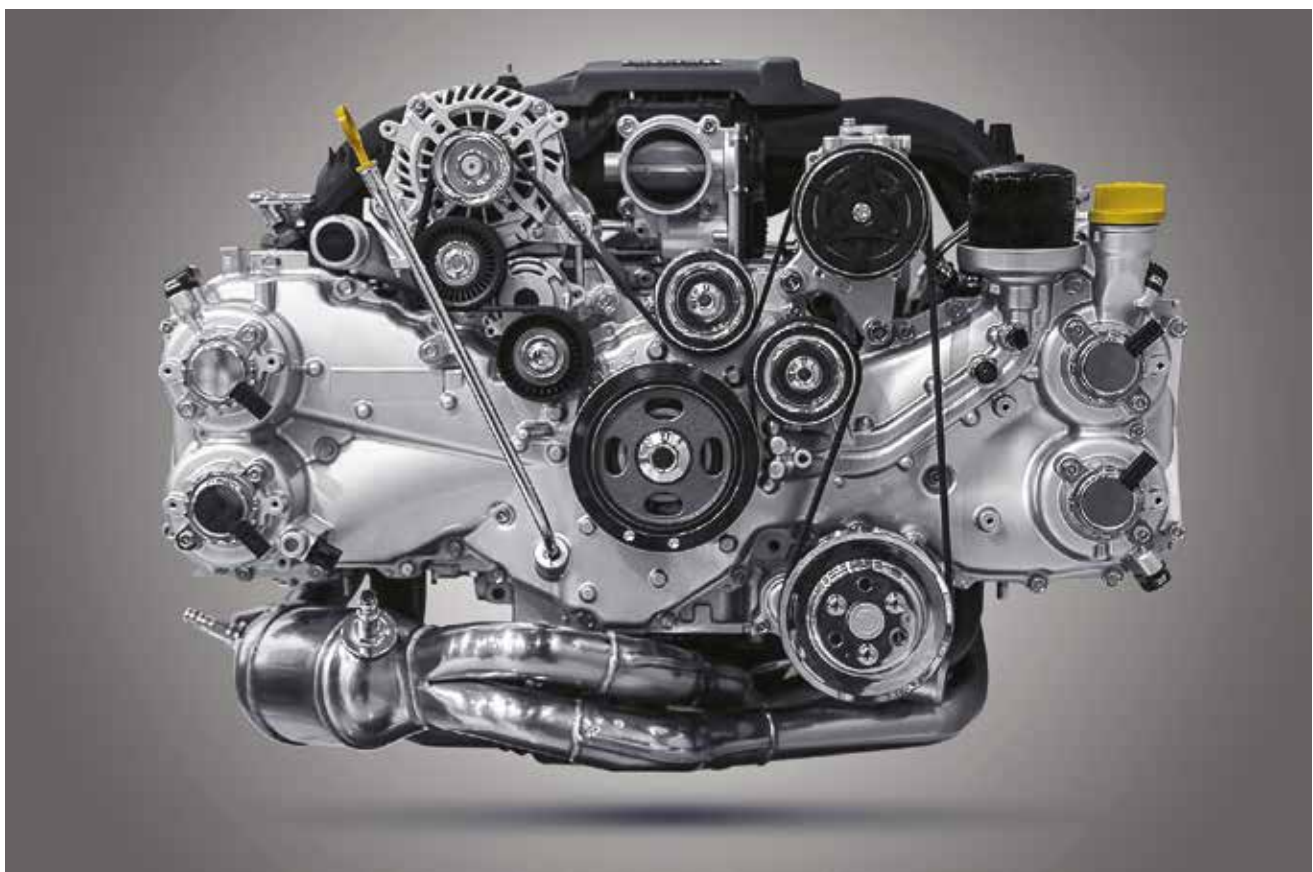
Unit : 300 ml
Box : 12 Pieces
Art. No. : W130 141



OIL STOP LEAK

It prevents oil from leaking from the seals and eliminates expensive engine repairs. Reduces oil consumption. Supports the seals and their flexibility. It extends the service life of the engine and improves the viscosity of the engine oil. Improves engine performance by improving compression. Prevents or reduces blue smoke emissions. Reduces engine noise. Suitable for all gasoline, diesel and LPG engines with or without a turbocharger. It can be mixed with all engine oils sold on the market. It does not clog the filters and does not damage the catalysts.

Unit : 300 ml
Box : 12 Pieces
Art. No. : W130 165



GASOLINE INJECTOR CLEANER

It wipes off the sediments. It is used to remove sediments from the injector heads and valves. Corrects the spray of gasoline. It provides the best gasoline/air mixture. It removes sediments in gasoline combustion chambers. It allows the engine to run better when the weather is cold.



Unit : 300 ml
Box : 12 Pieces
Art. No. : W130 114

DIESEL INJECTOR CLEANER

It wipes off the sediments. It is used to remove sediments from the injector heads and valves. Corrects the spray of diesel. It provides the best mixture of diesel/air. It removes sediments in the diesel combustion chambers. It allows the engine to run better when the weather is cold.



Unit : 300 ml
Box : 24 Pieces
Art. No. : W130 113

ENGINE SYSTEM CLEANER

It is used in every oil change inspection, engine repair and oil sludge diagnosis. It dissolves dirt and mud sediments in the interior parts of the engine. It is used in all mineral and synthetic based engine oils. It can be used on catalyst and turbo and all petrol and diesel engines. Used for dirty engine oils and old oils. It has solvent-free active detergent content. The product can be used for loose compression in the piston rings region as well as in case of rattling of the hydraulic pusher and delayed oil change.



Unit : 400 ml
Box : 12 Pieces
Art. No. : W130 106

PARTICLE CLEANER SPRAY

It is used to eliminate failures and performance decreases caused by dirty diesel particulate filters. After the process, the filters are ensured to work at full capacity again. The EGR valve is also cleaned with the Particle Cleaner. It is used to remove ash and carbon residues from particle filters. Recommended with DPF TANK ADDITIVE to improve product performance.



Unit : 500 ml
Box : 12 Pieces
Art. No. : W130 001

EGR CLEANER SPRAY

It is the best cleaner set for the intake system, throttle body, carburetor and idle valves. Effectively dissolves and removes fuel sediments, greases, oils, resins and dirt.

Unit : 400 ml
Box : 12 Pieces
Art. No. : W130 139



ENGINE STARTER SPRAY

Thanks to its special formula, it is a product that makes the engine easier to start in cold winter days. Suitable for all engine types. It is not corrosive. It does not leave chemical waste.

Unit : 200 ml
Box : 36 Pieces
Art. No. : W130 127



ENGINE CLEANER SPRAY

Removes dirt, oils, grease and stubborn stains on the engine. It gives the engine a shiny appearance and protects the engine. It does not damage electronic circuits and other painted surfaces, or any parts in the engine assembly. It easily reaches, penetrates and cleans the most difficult areas. It does not harm the environment, it is ozone-friendly. It does not contain silicone. Suitable for all engine types such as motorcycles, machines, lawnmowers, etc. on land, sea and aircraft engines.

Unit : 500 ml
Box : 24 Pieces
Art. No. : W130 134





BATTERY POLE PROTECTIVE SPRAY

It is used for the maintenance of the battery poles, battery terminals and plug connections. Protects against corrosion, weather conditions and battery acid. Prevents contact resistance and voltage drop.



Unit : 400 ml
Box : 12 Pieces
Art. No. : W130 140

RADIATOR CLEANER

It cleans the cooling system. Removes sediments from the cooling system. Used to improve reduced cooling performance during maintenance work on radiator cooling systems. It can be used as a protective measure when each cooling liquid is changed. (300 ml is sufficient for 10 lt. of cooling liquid.)



Unit : 250 ml
Box : 12 Pieces
Art. No. : W130 108



INJECTOR- SPARKPLUG LOOSENER SPRAY

It has a strong cooling effect. (-40°C). Easily loosens and disassemble parts such as rusted injectors and ignition plugs. It is a high-quality product based on mineral oils, graphite, solvents and high-tech additives. It is used to release injectors and ignition plugs in cars, trucks, in agriculture and industry. It is used to dissolve parts that have been painted and locked by exposure to heat, such as the injectors, ignition plugs and exhaust bolts.

Unit : 500 ml
Box : 12 Pieces
Art. No. : W130 164



AIR CONDITIONER CLEANING SPRAY

Provides long-term protection against the growing of unpleasant odors. It is used for cleaning and ventilation of air conditioning systems.

Unit : 200 ml
Box : 24 Pieces
Art. No. : W170 118



INTERIOR AIR CONDITIONING AND SYSTEM SPRAY

It provides fast and efficient odor absorption for vehicle interior parts and air conditioning systems. Absorbs unpleasant odors that may be caused by bacteria and fungi in the vehicles' interior parts or ventilation ducts. It leaves a pleasant and fresh odor.

Unit : 100 ml
Box : 24 Pieces
Art. No. : W130 115

Unit : 150 ml
Box : 12 Pieces
Art. No. : W130 100



VEHICLE CARE AND COSMETICS PRODUCTS

VEHICLE MAINTENANCE PRODUCTS



CONCENTRATED GLASS CLEANER

Dissolves and removes fly, wax residue, street dirt, oil dirt on the windshields of the vehicle. It does not damage rubber, chrome, plastic, aluminum and polished parts. It does not contain corrosive substances, corrosive substances, formaldehyde. Biodegradable. It has a nice smell. It is cost-friendly with its high concentration.



Unit : 33 ml
Box : 25 Pieces
Art. No. : W130 168
Smell : Strawberry

Unit : 33 ml
Box : 25 Pieces
Art. No. : W130 169
Smell : Lemon

Unit : 33 ml
Box : 25 Pieces
Art. No. : W130 170
Smell : Lavender

Unit : 33 ml
Box : 25 Pieces
Art. No. : W130 171
Smell : Ocean

AIR FRESHENER SPRAY

Air Purifier Spray is formulated to mask unwanted odors and refresh the interior parts by spraying directly on carpets, seats, ceiling coverings and vents. You can even apply it directly inside the vehicle so that it always smells fresh. Instant Deodorizing Effect. Leaves Interiors with Fresh and Clean Smell. Harmless to most surfaces. It does not cause slipperiness on the applied surface.



Unit : 150 ml
Box : 25 Pieces
Art. No. : W130 180
Smell : Ocean

Unit : 150 ml
Box : 25 Pieces
Art. No. : W130 181
Smell : Melon

Unit : 150 ml
Box : 25 Pieces
Art. No. : W130 182
Smell : Pine

Unit : 150 ml
Box : 25 Pieces
Art. No. : W130 183
Smell : Vanilla

Unit : 150 ml
Box : 25 Pieces
Art. No. : W130 184
Smell : Jasmine

LCD CLEANER SPRAY

It is used to remove oil, nicotine, dust and other residues from all LCD and devices having a screen, keyboards, printers, photocopiers, etc.



Unit : 400 ml
Box : 12 Pieces
Art. No. : W170 110

COCKPIT SPRAY

Prevents wear, squeaks and noises on bumpers, slats, plastic rails, slots, door tires, rubber seals, plastic bellows, hoses, plastic and rubber parts. It provides convenience especially in assembly works. Visually beautifies the applied materials. Protects electrical connections against moisture with vinyl and plastic coatings. It is antistatic.



Unit : 400 ml
Box : 12 Pieces
Art. No. : W150 153



HEAVY CUT COMPOUND - 101



Winkel 101 Thick Paste is a strong and fast-response paste developed for use on all paint surfaces. The product has been developed for use in removing connection scratches and finishing coat paints. According to the scratch condition before painting; P1200 or P1500 sanders, preliminary preparations with 1500 or 2000 wet sanders are recommended depending on the application site. THICK PASTE 101 removes scratches with a single movement when applied to fine and medium scratches, swirl like scratches and brings the paint back to its high gloss. THICK CAKE 101 does not contain silicone and ammonia. It can be used in all dark and light paints. It is recommended that the application to be conducted by dividing into areas (recommended for new paints).

Unit : 1 Lt
Box : 12 Pieces
Art. No. : W130 190



MEDIUM CUT COMPOUND - 102

Winkel 102 Thick Paste is a polishing paste that has a very fast and strong effect on all paint surfaces. Can be used to remove light to medium scratches, car wash scratches, and oxidation. Eliminates appearance defects caused by medium and deep scratches and polishes the paint. Free of silicone or ammonia, easy to clean from the surface. It is recommended that the application to be conducted by dividing into areas (recommended for old paints).

Unit : 1 Lt
Box : 12 Pieces
Art. No. : W130 191



FINISHING WAX POLISH POLYESTER - 103

Winkel 103 Polyester Surface Paste is an easy-to-use product that gives paints a new look, high quality long-lasting shine and protection. Easily removes bits of tar and simple scratches on the surface. It works on capillary scratches. It can be used with P800 sander. Its water-based formulation supported by emulsified hydrocarbon solvents enables it to have easy application and wiping properties. Usage Area: Specially developed for sunlight or worn car paints frequently. This product is also suitable for application on all kinds of surfaces, colored car paints and on chrome parts. It is used to achieve a perfect shiny effect on boats, caravans and campers. Shake before use.

Unit : 1 Lt
Box : 12 Pieces
Art. No. : W130 192



POLISH FINE - 301

The WINKEL 301 Ripple Remover is a glossy wax paste developed for use on paint surfaces. The product can be used in topcoat paints to remove connection scratches. Winkel THICK PASTE 101, 102, 103 series gives brightness and eliminates oxidation with a complementary effect after use. Removes medium and capillary scratches, covers defects in paint surface, and brings paint back to high gloss. It does not contain silicone, wax or ammonia. It can be used to remove vortex marks. (Used as Ripple Remover). It can be used in all dark and light paint types.

Unit : 1 Lt
Box : 12 Pieces
Art. No. : W130 194



HIGHGLOSS WAX - 501

WINKEL 501 Wax is a wax-based polymer structured product. With its high performance, it provides deep shine and permanent protection in topcoats or original paints in the automotive industry. The product, which contains rich non-reactive additives, has been specially developed for the long-term protection of painted vehicle bodies and parts. The WINKEL 501 Polish is in wax form and contains reactive weather resistant PTFE. It is a product that provides long-term protection against acid rain and industrial dirt. Paint brightening polish provides deep shine and a smooth surface. The product has a water-based formulation containing emulsified hydrocarbons. Contains non-volatile silicones. WINKEL 501 Polish can be used on all new, old and worn painted surfaces (do not apply on hot surfaces and under direct sunlight).

Unit : 1 Lt
Box : 12 Pieces
Art. No. : W130 195





ANTIFREEZE WINDSHIELD FLUID FOR WINTER -63°C

Concentrated antifreeze windshield fluid prevents water from freezing in the windshield tank of your vehicle in winter and ensures the quiet operation of your wipers with its high quality. It is specially formulated to remove oil, soot, dust, insect and fly residues and impureness caused by exhaust gases. Even in vehicles with high inclination windshields, thanks to its special cleaning materials, it ensures that the vision remains clear and accurate.



Unit : 500 ml
Box : 20 Pieces
Art. No. : W130 153

ANTIFREEZE WINDSHIELD WASHER LIQUID - 35°C

With its fragrance feature, it allows your windows to give off fresh smells. When you use windshield fluid in rainy weather, it provides a clear view and allows you to continue on your way. It removes oil, soot, dust, insect and fly residues and impureness caused by exhaust gases.



Unit : 250 ml	Unit : 1 L
Box : 24 Pieces	Box : 20 Pieces
Art. No. : W130 142	Art. No. : W130 133

-56 °C ANTIFREEZE BLUE

It protects the cooling system against freezing even in very cold weather conditions. Ensures engine performance remains at max. level.



Unit : 1,5 L	Unit : 3 L	Unit : 16 Kg
Box : 12 Pieces	Box : 6 Pieces	Box : Gallon
Art. No. : W130 129	Art. No. : W130 130	Art. No. : W130 131

-56 °C ANTIFREEZE RED

It protects the cooling system against freezing even in very cold weather conditions. Ensures engine performance remains at max. level.



Unit : 1,5 L	Unit : 3 L	Unit : 16 Kg	Unit : 1 Ton
Box : 12 Pieces	Box : 6 Pieces	Box : Gallon	Box : IBC
Art. No. : W130 118	Art. No. : W130 119	Art. No. : W130 123	Art. No. : W130 121

VEHICLE BODY AND GLASS BONDING PRODUCTS

ELASTIC SEALANTS





ADHESIVE IMPERMEABLE

Single component, polyurethane based strong adhesive and filler material. White, gray, black. Provides insulation at joints and connection points in vehicle bodywork. Its surface can be painted.

Unit : 310 ml
Box : 12 Pieces
Colour: White
Art. No. : W160 261-B

Unit : 300 ml
Box : 12 Pieces
Colour : Grey
Art. No. : W160 261-G

Unit : 300 ml
Box : 12 Pieces
Colour: Black
Art. No. : W160 261-S



ADHESIVE SEALANT - SAUSAGE

Single component, polyurethane based strong adhesive and filler material. White, gray, black. Provides insulation at joints and connection points in vehicle bodywork. Its surface can be painted.

Unit : 600 g
Box : 20 Pieces
Colour: White
Art. No. : W160 259-B

Unit : 600 g
Box : 20 Pieces
Colour : Grey
Art. No. : W160 259-G

Unit : 600 g
Box : 20 Pieces
Colour : Black
Art. No. : W160 259-S



WINZOL SEALING SPRAY (REPAIR SPRAY)

A bitumen-free rubber-based resin. After drying, the adhesive forms a flexible protective coating and provides durability even at the highest atmospheric and mechanical stresses (for example, stone chip). It can be applied on wet surfaces. It can be used for water and corrosion insulation in underbody applications.

Unit : 500 ml
Box : 12 Adet
Art. No. : W150 304
Colour: Black

Unit : 500 ml
Box : 12 Pieces
Art. No. : W150 305
Colour: Grey

Unit : 500 ml
Box : 12 Pieces
Art. No. : W150 306
Colour: White

Unit : 500 ml
Box : 12 Pieces
Art. No. : W150 308
Colour: Transparent



UNDERBODY AND STONE CHIP PROTECTION

It is a rubber and resin based, bitumen-free underbody protection. The coating formed after the product has dried is an adhesive, elastic, a protective coating that is resistant to even the highest atmospheric and mechanical loads (e.g. large bouncing stones) is obtained. It has the effect of reducing roadborne noises. It can be painted over. It attaches to the applied surface with strong bonds. It has high abrasion and aging resistance, effective permanent elasticity and a fast drying time of about 2-4 hours. Impact Protective Plush Spray is suitable for all common surfaces. It is used especially after the repair of hard-to-reach areas such as niches, corners, edges, etc. and in the repair of underbody coatings. It is also used to coating of the interior of doors, tailgates, etc., thanks to its sound-reducing effect.

Unit : 500 ml
Box : 12 Pieces
Art. No. : W150 111



ZINC SPRAY (LIGHT)

Dry film product containing high-purity zinc powders providing long-term protection against corrosion in metals. Suitable for repairing damaged galvanized layer, coating, drilling, cutting and spot welding applications. It can also be applied as a protective primary coating for parts exposed to moisture. It has a temperature resistance of +300°C. For homogeneous coating, shake the product for about 1 minute until the stirrer ball moves freely.



Unit: 400 ml
Box : 12 Pieces
Art. No. : W140 443

ZINC SPRAY (DARK)

Anti-corrosion dry film product in metals with high metallic zinc content. It is a general purpose protection for surfaces that are desired to be protected against corrosion. It is paintable and resistant to salt water. Typical uses are steel and construction industry, engineering, shipbuilding industry and welding industry. For homogeneous coating, shake the product for about 1 minute until the stirrer ball moves freely.



Unit : 400 ml
Box : 12 Pieces
Art. No. : W140 444

PROTECTIVE WAX SPRAY

It creates a wax layer resistant to water and salt water vapor where it is applied. It is easy to remove from the surfaces. It provides protection against corrosion, especially overseas loads. It is also suitable for long-term protection in machinery and tools. The surface to be used should be clean and dry.



Unit : 400 ml
Box : 12 Pieces
Art. No. : W160 106

PROTECTIVE WAX LIQUID

It creates a wax layer resistant to water and salt water vapor where it is applied. It is easy to remove from the surfaces. It provides protection against corrosion, especially overseas loads. It is also suitable for long-term protection in machinery and tools. The surface to be used should be clean and dry.



Unit : 30 L
Box : Gallon
Art. No. : W140 621



PU 50 WINDSHIELD ADHESIVE

PU 50 is a single component, fast drying, flexible and high-performance polyurethane adhesive formulated especially for vehicle glass bonding. Allows vehicles with airbags to enter traffic 2 hours after window bonding. It is widely used in the bonding of front, rear and side windows in automobiles, trucks, buses, tractors and heavy equipment. It is also used to bond the fibreglass-reinforced plastic parts of vehicles (roof, side and front panels). The PU 50 is ideal for all applications requiring strong, elastic-structural bonding of different material combinations (topcoat, metal sheets, fibreglass and reinforced plastic) subjected to strong mechanical or thermal stress.

- Unit :** PU 50 Glass Bonding Cartridge - 310ml
 DGX Primer - 30 ml
 Primer Brush
- Box :** 12 Pieces
- Art. No. :** W130 136



PU 50 WINDSHIELD ADHESIVE

PU 50 is a single component, fast drying, flexible and high-performance polyurethane adhesive formulated especially for vehicle glass bonding. Allows vehicles with airbags to enter traffic 2 hours after window bonding. It is widely used in the bonding of front, rear and side windows in automobiles, trucks, buses, tractors and heavy equipment. It is also used to bond the fibreglass-reinforced plastic parts of vehicles (roof, side and front panels). The PU 50 is ideal for all applications requiring strong, elastic-structural bonding of different material combinations (topcoat, metal sheets, fibreglass and reinforced plastic) subjected to strong mechanical or thermal stress.

- Unit :** 310 ml
- Box :** 12 Pieces
- Art. No. :** W130 120-310

- Unit :** 600 ml
- Box :** 20 Pieces
- Art. No. :** W130 120-600



DGX PRIMER

DGX Primer is a black primer specifically developed to improve the bonding of screen-printed vehicle windows in one-single step. Provides excellent adhesion of PU 50 (Polyurethane Auto Glass Bonding). It contribute to better adhesion of painted surfaces used in industrial installations, FRP, plastic, glass, aluminum and some metals to other materials.

- Unit :** 30 ml
- Box :** 25 Pieces
- Art. No. :** W130 138-30

- Unit :** 250 ml
- Box :** 12 Pieces
- Art. No. :** W130 138-250



SPRAY PAINTS

Multipurpose acrylic spray paint has been developed for use indoors and outdoors and on a variety of surfaces. It dries fast and has superior covering quality. Creates a stable and durable film. It has a wide selection of ral codes with matte and glossy options upon request.

Dry film thickness is 13 microns in one coat. If more than one coat is applied, the thickness will increase.

<p>RAL: 9005</p> <p>JET BLACK GLOSS</p> <p>Art. No: W9005G</p>	<p>RAL: 9016</p> <p>TRAFFIC WHITE</p> <p>Art. No: W9016</p>	<p>RAL: 3000</p> <p>FLAME RED</p> <p>Art. No: W3000</p>	<p>RAL: 1007</p> <p>DAFFODIL YELLOW</p> <p>Art. No: W1007</p>	<p>METALLIC CHROME</p> <p>Art. No: W140 449M</p>
<p>RAL: 9005</p> <p>JET BLACK MATT</p> <p>Art. No: W9005M</p>	<p>RAL: 9010</p> <p>PURE WHITE MATT</p> <p>Art. No: W9010M</p>	<p>RAL: 3001</p> <p>SIGNAL RED</p> <p>Art. No: W3001</p>	<p>RAL: 1028</p> <p>MELON YELLOW</p> <p>Art. No: W1028</p>	<p>COPPER METAL</p> <p>Art. No: W140 442</p>
<p>RAL: 9005</p> <p>HT SPRAY PAINT BLACK</p> <p>Art. No: W9005HT</p>	<p>RAL: 9010</p> <p>PURE WHITE GLOSS</p> <p>Art. No: W9010G</p>	<p>RAL: 3002</p> <p>CARMINE RED</p> <p>Art. No: W3002</p>	<p>HT SPRAY PAINT GRAY</p> <p>Art. No: W9006HT</p>	<p>GOLD</p> <p>Art. No: W140 450G</p>
<p>RAL: 7016</p> <p>ANTHRACITE GRAY</p> <p>Art. No: W7016</p>	<p>RAL: 5012</p> <p>LIGHT BLUE</p> <p>Art. No: W5012</p>	<p>RAL: 3020</p> <p>TRAFFIC RED</p> <p>Art. No: W3020</p>	<p>FLUORESCENT PAINT RED</p> <p>Art. No: W0006F</p>	
<p>RAL: 9007</p> <p>GREY ALUMINIUM</p> <p>Art. No: W9007</p>	<p>RAL: 5015</p> <p>SKY BLUE</p> <p>Art. No: W5015</p>	<p>RAL: 5017</p> <p>TRAFFIC BLUE</p> <p>Art. No: W5017</p>		
<p>RAL: 9006</p> <p>WHITE ALUMINIUM</p> <p>Art. No: W9006</p>	<p>RAL: 7001</p> <p>SILVER GREY</p> <p>Art. No: W7001</p>	<p>RAL: 6005</p> <p>MOSS GREEN</p> <p>Art. No: W6005</p>		



For alternative colors, please request with your ral code.



The Indispensable Part of the System



www.winkelgroup.de